



## HEAT COST ALLOCATOR MONITOR 2.0 - 2.0 E MONITOR-PULSE 2.0

**CALEFFI**  
Hydronic Solutions



Sistemi Calore

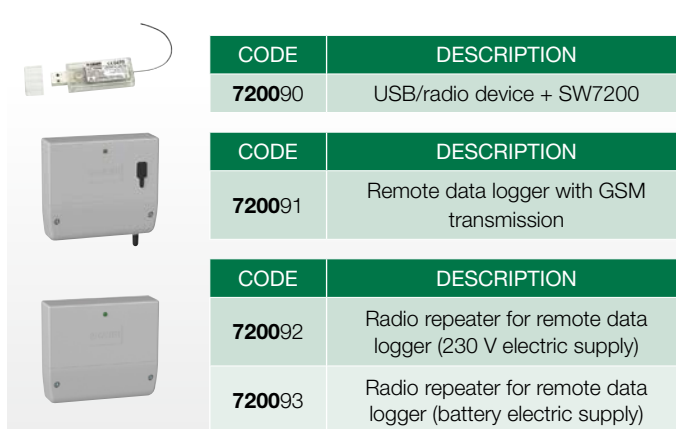
Correct measurement for correct management



### FUNCTION AND FEATURES

- Suitable for all types of radiators (code 720020) and all types of convectors (code 720025).
- Two-way radio transmission, parametrisation and reading via USB/radio device (code 720090) with application software.
- Daily consumption log for a period of up to 18 months.
- Extremely low emissions from the radio system.
- Option of data concentration using a data logger - GSM modem (code 720091) and radio repeaters (code 720092/720093).
- Consumption metering with 1 or 2 sensors, depending on the environmental conditions.

## PRODUCT RANGE



## PERFORMANCE

Max HEATING TEMPERATURE / Min HEATING TEMPERATURE	90°C / 30°C (Start metering in one sensor mode)
SWITCHING $\Delta T$	4,5 K
AMBIENT TEMPERATURE SCREEN	5–60°C
ELECTRIC SUPPLY	lithium battery (maximum life 10 years)*
COMMUNICATION	two-way wireless 868.0–868.6 MHz, 10 mW

\* with normal use of the viewing and radio communication functions

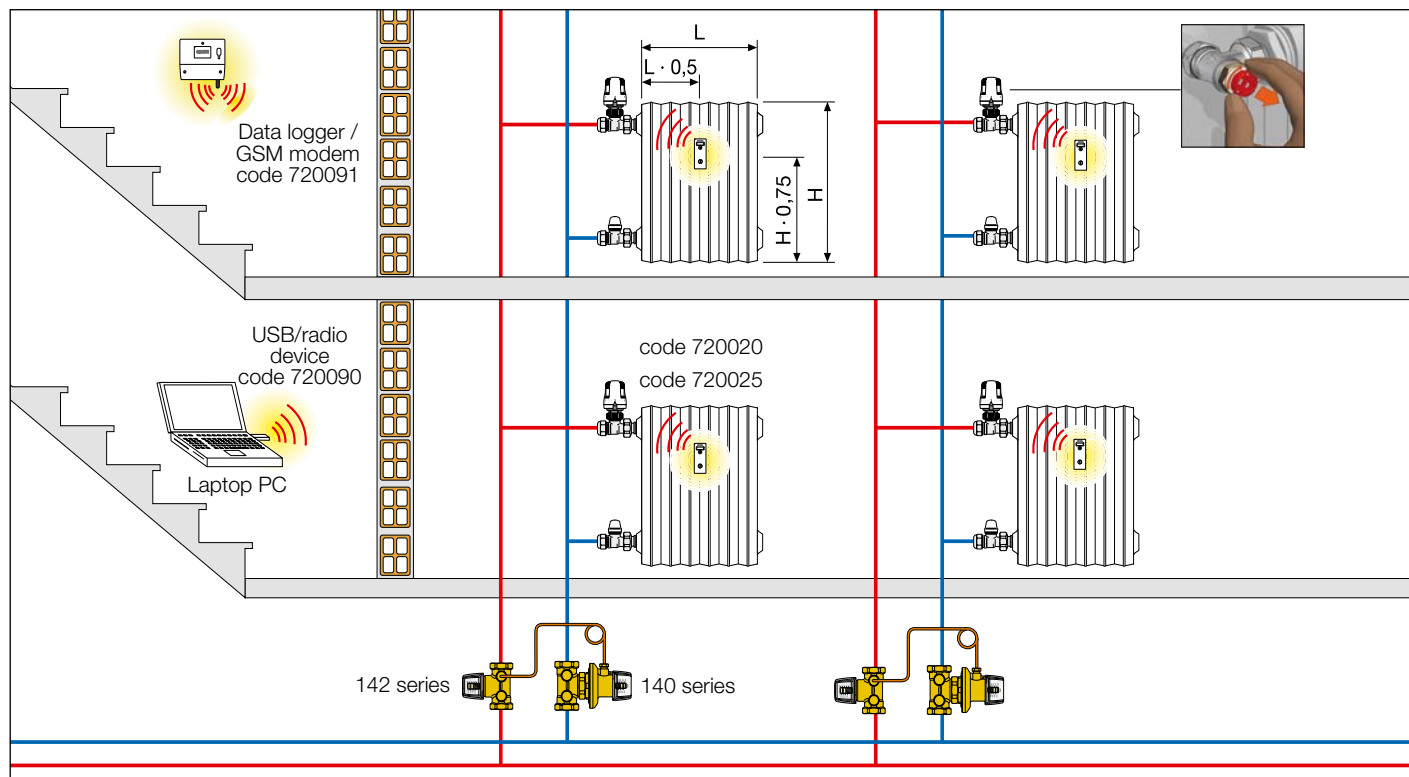
## ERRORS INDICATION

Certification No. A1.02.2013 - University of Stuttgart (Germany)

RANGE $\Delta T$	Errors allowed by the standard EN 834:2013	Heat cost allocator MONITOR 2.0 tolerance
5–10 K	$\pm 12\%$	+ 2,3%
10–15 K	$\pm 8\%$	- 0,8%
15–40 K	$\pm 5\%$	- 2,2%
> 40 K	$\pm 3\%$	- 1,4%

Certification: Directive 1999/EEC (R-TTE), EN 834 (for MONITOR 2.0 and 2.0 E)

## APPLICATION DIAGRAM



## REFERENCE DOCUMENTS:

7200 series	- Tech. brochure 01218
7200 series	- Tech. brochure 01302
7200 series	- Tech. brochure 01305



**CALEFFI**  
Hydronic Solutions

0353816GB

WE RESERVE THE RIGHT TO MAKE CHANGES AND IMPROVEMENTS TO THE PRODUCTS AND RELATED DATA IN THIS PUBLICATION, AT ANY TIME AND WITHOUT PRIOR NOTICE.

Caleffi S.p.A. S.R. 229 n. 25 · 28010 Fontaneto d'Agogna (NO) · Italy  
Tel. +39 0322 8491 · Fax +39 0322 863723  
info@caleffi.com · www.caleffi.com · © Copyright 2016 Caleffi